

TOWELS WITH C/Z FOLDS

Wall mounted



DT2106
White epoxy finish



DT2106C
Bright finish



DT2106CS
Satin finish

General Description

- Manual paper towel dispenser, surface mounted, designed and manufactured by Mediclinics
- Robust and vandal-resistant, these dispensers are designed to be installed in any type of public washroom. Models for a more efficient use of the paper and suitable for different washroom environments: gymnasiums, sports centers, hospitals and health centers, hotels and similar type installations; solutions even for use in different places.
- Models suitable for C/Z folded paper towels; in this category, products are available that allow amounts ranging between 400 and 600 towels.
- All Mediclinics paper towel dispensers are supplied with a lock and special key for opening and screws. These dispensers are especially designed so that the paper can be easily replaced.

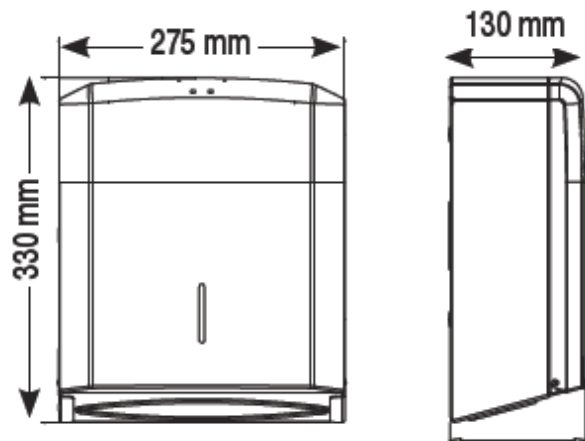
Components & materials

- **DT2106:** steel, white epoxy finish.
- **DT2106C:** stainless steel AISI 304, bright finish.
- **DT2106CS:** stainless steel AISI 304, satin finish.
- Fully welded body, 0.8mm thick with burr-free edges.
- Seamless one-piece lid, 0.8mm thick, fixed to the body by means of 2 rivets. It includes a frontal lock with standard mediclinics key, that allows swinging down of lid for replenishment.
- Back-plate, 0.8 mm thick, with multiple slots for easy installation. Total compatibility with DT0106... series.
- It is mounted on the wall by means of 4 screws with their corresponding Ø6mm wall plugs (screws and wall plugs provided). The support of the screws in the back of the appliance are acting as an anti-moisture support, as well as allowing an easy adjustment to the wall.
- The towel tray opening has bound edges to minimize tearing of paper towels.
- Slot at the front with a plastic viewer that indicates the content level.

Technical specifications

Dimensions	275x330x130 mm
Paper capacity	Max. 260x100 mm
Thickness of body and lid	0,8 mm
Weight (empty)	1,80 kg
C-fold towel capacity	400 units
Z-fold towel capacity	600 units

Dimensions



Dimensions ±4%

MOUNTING TEMPLATE

130-160 cm at lower point. // 85-120 cm at lower point (for handicapped people)